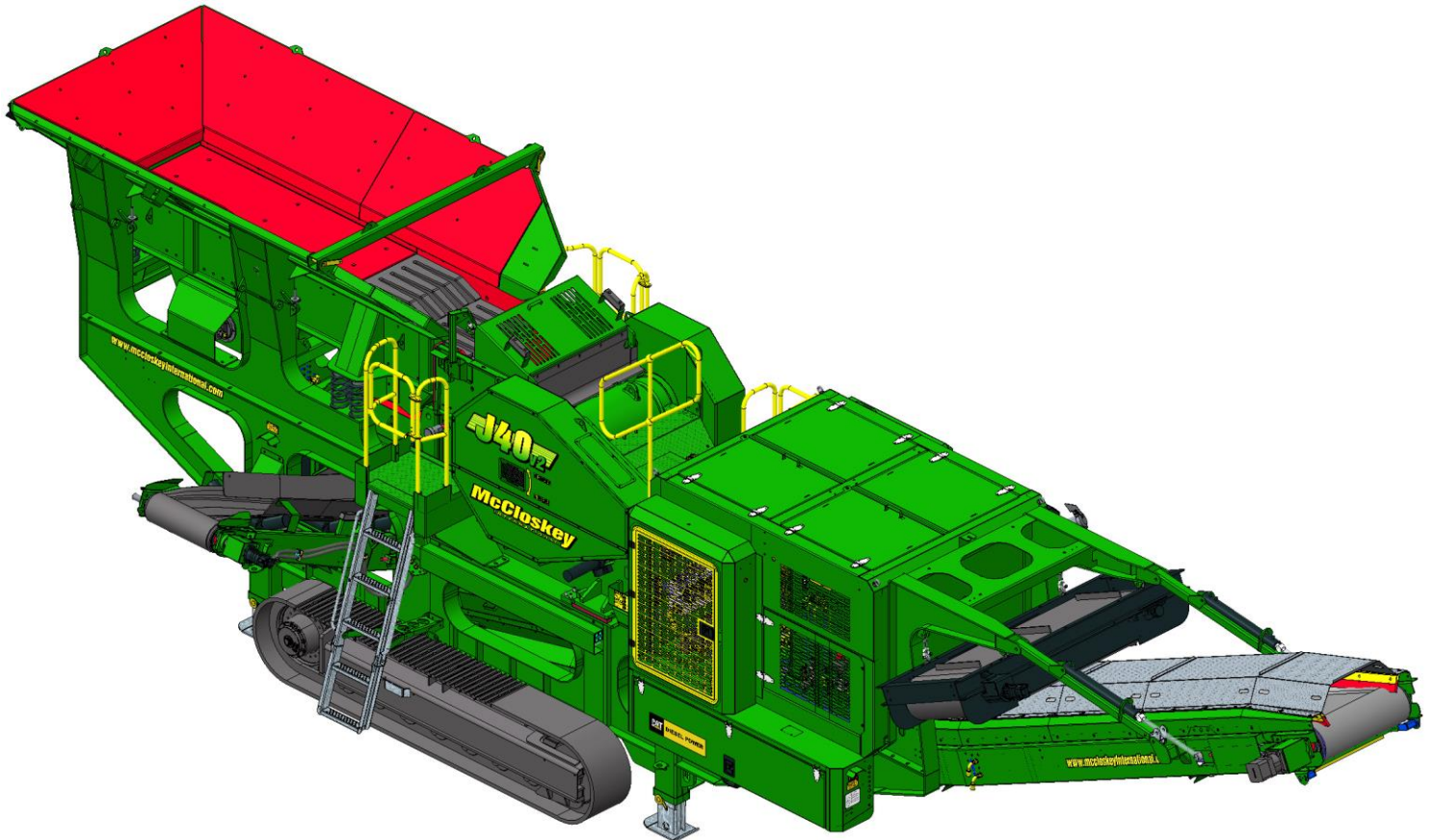
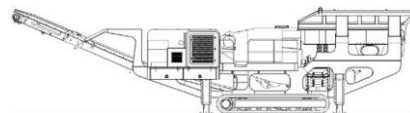


SPECIFICATIONS



McCloskey

J40v2

**DESCRIPTION**

Heavy duty track mounted Crusher with following features:

- 1016 (40") x 610 (24") single toggle jaw.
- 225Hp C6.6 Cat engine T3.
- 225Hp C7.1 Cat engine T4.
- Track
- Integrated hydraulic folding hopper.
- Integrated hydraulic folding stockpiling conveyors.
- I-beam plate fabricated chassis construction.
- Large gap between crusher discharge and main conveyor feedboot
- Open chassis design for ease of maintenance
- Fast setup time

DIMENSIONS AND WEIGHTS

Length - working	13.64m (44' - 9")
Length - transport	13.78m (45' - 2.6")
Width - transport	2.5m (8' - 2.5")
Height - transport	3.2m (10' - 6")
Weight	34,600 Kgs (76,280 lbs) (Overband Magnet, side conveyor & deflector fitted)

CAPACITIES

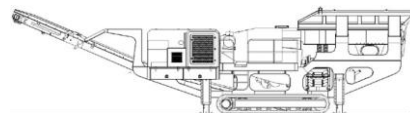
Diesel tank capacity	446 L (117 US gal)
Hydraulic tank capacity	1200 L (317 US Gals)

CRUSHING CHAMBER

Feed opening	1016 (40") x 610 (24")
Crusher speed	300 rpm
Crusher Drive	Hydraulic - Banded V-Belts
Min. opening	51mm (2") *Note Applications
Max. opening (peak to peak))	156mm (6.15") (peak to peak)
Jaw weight	10,920Kgs
Closed side setting adjustment	Twin hydraulic ram wedge adjust
Motor	Kawasaki axial piston 280cc/rev
Flow rate	340 Lpm (89.8 US gpm)
Level sensor	Ultrasonic
Load sensor	Hydraulic

GRIZZLY FEEDER

Feeder width	950mm (37.4")
Feeder length	3840mm (12' - 7")
Drive	Hydraulic direct drive
Grizzly section opening	Tapered 35-70mm (1.4" - 2.75")
Grizzly section length	1225mm (48")
Motor	David Brown MCC 1911 51.8cc/rev
Flow rate	68.4 Lpm (18.1 US gpm)
Adjustable speed	Yes - via mechanical Flow Control
Variable speed	Yes - via electrical proportional



Maximum speed 970rpm

HOPPER

Length	4180mm (13' – 8.5")
Width	2064mm (6' – 9")
Volume	5.4m ³ (7.4yd ³)
Material	8mm sides with 10mm Hardox liners
Locking system	Wedge type and toggle bolts.

SIDE CONVEYOR

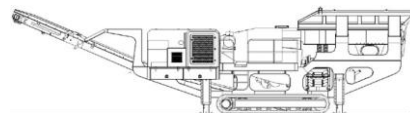
Stockpile height	2500mm (8' – 2")
Belt width	650mm (26")
Belt spec	EP 500/3 5+1.5
Drive drum dia.	220mm (8.6")
Tail drum dia.	220mm (8.6") - spoked
Motor	OMT400
Flow rate	43.7 Lpm (11.5 US gpm)
Adjustable speed	YES
Maximum speed	109 rpm

MAIN CONVEYOR

Stockpile height	3458mm (11' – 4.2")
Belt width	900mm (36")
Belt spec	Plain 500/3 8+2 with Breaker, DIN Y
Drive drum dia.	285mm (11.2")
Tail drum dia.	270mm (10.6") - spoked
Motor	OMV630
Flow rate	87.4 Lpm (23.1 US gpm)
Maximum speed	138.7 rpm
Angle adjustable	YES
Quick release	YES

POWERUNIT AND HYDRAULICS

Engine Tier 3 option	CAT C6.6
Engine Tier 4i/4f option	CAT C7.1
Engine power	166 kW (225 HP)
Engine speed	1900 rpm
Flywheel Pump 1	Kawasaki K3V140DT (set at 83cc/rev)
LH PTO Pump 2	David Brown 5036 5023
Front PTO Pump 3	David Brown 5046 2SPA11
Total system flow	560.4 Lpm (148 US Gpm)
Hydraulic tank capacity	1200 L (317 US Gals)
Hydraulic tank ratio	2.14 : 1
Hydraulic Oil cooler	YES

**ELECTRICS**

Emergency stops	4 off, 2 feeder, 2 powerunit
Chassis cabling	Armored cable
Start Siren	YES - 10 sec delay
Control panel	Tedd Engineering
Engine shutdowns:	Low oil pressure High water temp Low hydraulic tank level High hydraulic oil temperature
Radio control tracks	OPTION
Radio control feeder	OPTION
Pendant track control	YES - plugged in control cabinet

TRACKS

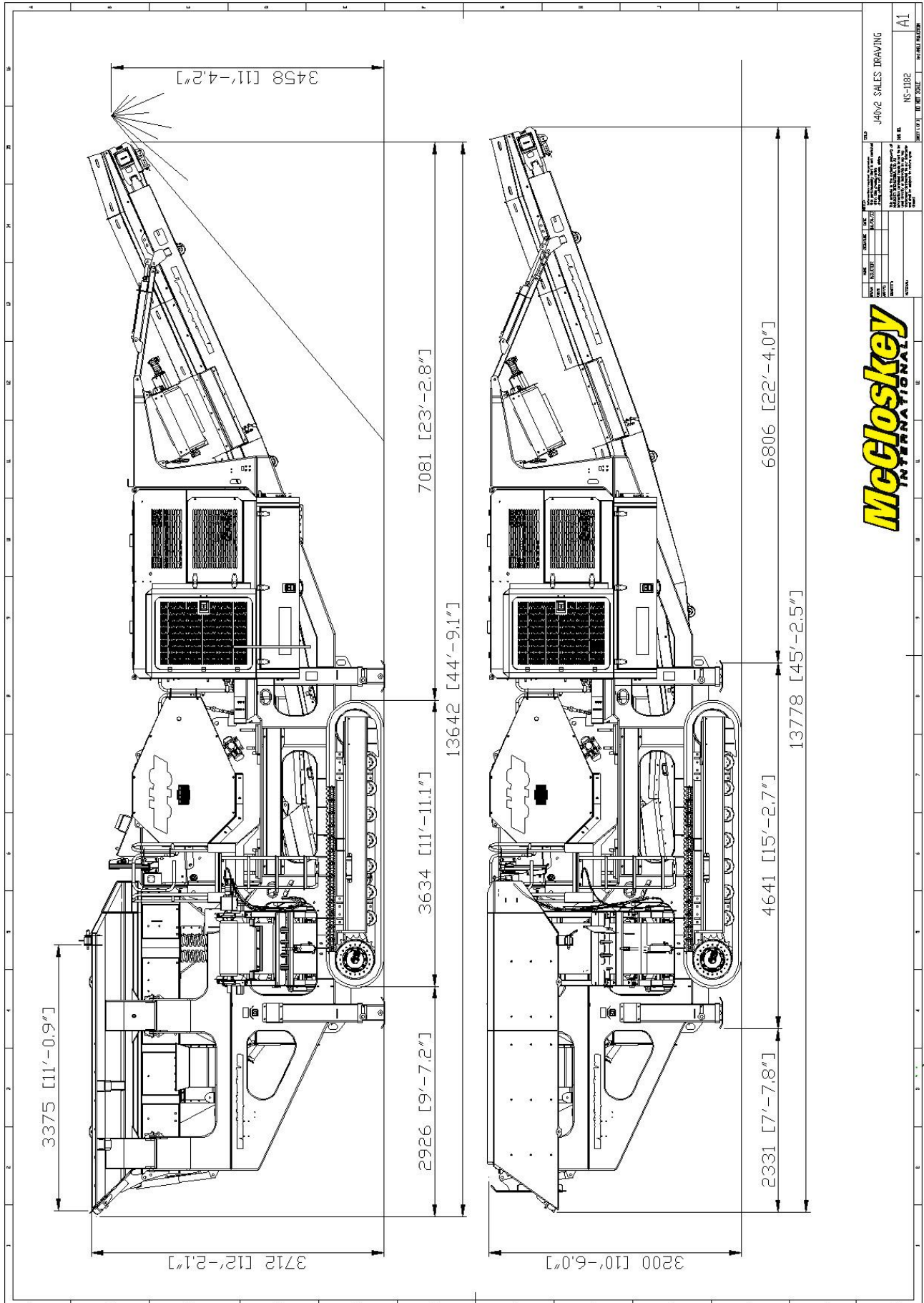
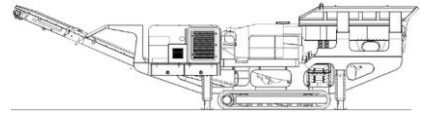
Width	400mm (15.7")
Length	2920mm (9' - 7") crs
Height	736mm (29")
Gearbox	Bonfiglioli 709
Ratio	122:1
Motor	Rexroth 63
Speed max	1.8 Kph (1.1 Mph)
Flow rate	100 Lpm (26.4 US gpm)
Attachment to chassis	Bolt On for quick change

OPTIONS

Main conveyor variable speed control
Hopper Extensions
Overband magnet
Water Pump and dust suppression system
Quarry or recycling jaw dies
Crusher Deflector Plate – (Belt Protection)
Work lights
Belt Scale

SAFETY FEATURES

External belt alignment points
External grease points
Engine safety shutdown systems
Full safety guarding for nip points



J40v2 SALES DRAWING		A1
REV	DATE	BY
1		
2		
3		
4		
5		
6		
7		
8		
9		
10		
11		
12		
13		
14		
15		
16		
17		
18		
19		
20		
21		
22		
23		
24		
25		
26		
27		
28		
29		
30		
31		
32		
33		
34		
35		
36		
37		
38		
39		
40		
41		
42		
43		
44		
45		
46		
47		
48		
49		
50		
51		
52		
53		
54		
55		
56		
57		
58		
59		
60		
61		
62		
63		
64		
65		
66		
67		
68		
69		
70		
71		
72		
73		
74		
75		
76		
77		
78		
79		
80		
81		
82		
83		
84		
85		
86		
87		
88		
89		
90		
91		
92		
93		
94		
95		
96		
97		
98		
99		
100		

McCloskey
INTERNATIONAL